



# POULTRY PLUCKER



**ATTENTION:**  
IF ANY COMPONENTS OF THIS UNIT  
ARE BROKEN, OR IF THE UNIT DOES NOT  
OPERATE PROPERLY, PLEASE CONTACT  
ROOTS AND HARVEST AT **877-509-3457**

[www.rootsandharvest.com](http://www.rootsandharvest.com)

## USE & MAINTENANCE #1822



### **⚠ WARNING**

Read carefully and understand all instructions before operating. Failure to follow the safety rules and other basic safety precautions may result in serious personal injury. Save these instructions in a safe place and on hand so that they can be read when required. Keep these instructions to assist in future servicing.

### **⚠ WARNING**

Electrical Shock Hazard.  
This unit is equipped with GFCI (ground-fault circuit interrupter) that protects the operator. NEVER tamper with, disable or remove the GFCI.

**1 YEAR  
WARRANTY**

# ⚠ IMPORTANT SAFETY INFORMATION

## ⚠ WARNING

The warnings, cautions, and instructions discussed in this manual cannot cover all possible conditions or situations that could occur. It must be understood by the operator that common sense and caution are factors that can not be built into this product, but must be supplied by the operator.

IT IS IMPORTANT TO READ AND UNDERSTAND ALL OF THE INSTRUCTIONS AND SAFEGUARDS PRIOR TO USE

## SAVE THIS MANUAL

Every user must read and fully understand this manual and its contents, especially the Important Safety Information, before using or operating the appliance. This manual must accompany this appliance.

**Questions? Call Roots and Harvest technical assistance toll-free: 877-509-3457**

### General Safety Information

- Use the appliance only for its intended use. Domestic use only. Improper use of this appliance voids the warranty.
- This appliance is not intended for use by persons (including children) with reduced physical, sensory, or mental capabilities, or lack of experience and knowledge, unless they have been given supervision or instruction concerning use of the appliance by a person responsible for their safety. Children should be supervised to ensure that they do not play with the appliance.
- Do not use while under the influence of alcohol or prescription or non-prescription drugs as these may impair your ability to properly assemble or safely operate the appliance.
- Use the appliance with supplied accessories only. The use of accessories or attachments not recommended or sold by the manufacturer may cause injury, damage to personal property and may void your warranty.
- Do not attempt to disable any of the safety features that are in place. They are there for your safety. The manufacturer declines any responsibility in the case of improper use of this appliance.
- Always unplug appliance when not in use and when disassembling, changing parts and cleaning.
- Never leave appliance unattended when plugged in or running.
- Follow all food safety regulations and information about safe food handling as outlined by the FDA at <https://www.fsis.usda.gov/food-safety/safe-food-handling-and-preparation>
- Read all warnings and instructions in this manual. In addition, use common sense; your personal safety is your responsibility. Failure to follow warnings and safety information could result in death, serious bodily injury, and/or property loss.

### Safety Information Before Use

- Always ensure that the appliance is properly assembled and safely set up before use. Set up and store the appliance out of reach of children. It is important to monitor the appliance when in use. Never leave the appliance unattended if it can be switched on and operated.
- Use appliance on a level, stable surface to prevent it from overturning and possibly causing injury and/or damage to appliance.
- Check that the buckle clamps have secured the tub to the base and the carabiners are installed and the proximity switch is aligned.

### Safety Information During Use

- Dress appropriately: Tie back loose hair and clothing. Remove neckties, rings, watches, bracelets, or other jewelry before operating the plucker. Wear safety goggles/eye protection and rubber soled shoes.

## IMPORTANT WARRANTY INFORMATION PLEASE READ FILL OUT AND RETURN ENCLOSED WARRANTY CARD

THIS WARRANTY COVERS:

**Roots & Harvest #1822 Poultry Plucker**

THE WARRANTY IS EXTENDED TO THE ORIGINAL PURCHASER ONLY

**WARRANTY DURATION:** This product is warranted to the original purchaser for a period of one (1) year from the original purchase date. **EACH UNIT COMES WITH A WARRANTY CARD, WHICH MUST BE FILLED OUT COMPLETELY AND RETURNED IMMEDIATELY, WITH A COPY OF THE PURCHASING RECEIPT. FAILURE TO RETURN YOUR WARRANTY CARD WILL LIMIT WARRANTY TO 90 DAYS WITH PROOF OF PURCHASE.**

**WARRANTY COVERAGE:** This product is warranted against defective materials or workmanship. The warranty is void if the product has been damaged by accident, misuse, neglect, modification or improper service or repairs by unauthorized personnel. It is also void if damaged in shipment or by other causes not arising out of defects in the materials or workmanship. This warranty does not extend to any units which have been in violation of written instructions furnished. This warranty covers only the product and its specific parts, not food or other products processed in it.

**WARRANTY DISCLAIMERS:** This warranty is in lieu of all warranties expressed or implied, and no representative or person is authorized to assume any other liability in connection with the sale of our products. There shall be no claims for defects or failure of performance under any theory of sort, contract or commercial law including, but not limited to negligence, gross negligence, strict liability or breach of contract. The manufacturer declines all responsibility for damage to persons, things or animals arising from the failure to comply with the norms contained in this manual. The manufacturer reserves the right to make modifications at anytime to the models while maintaining the main characteristics described herein. The manufacturer also declines all responsibility for any errors in compiling this manual.

**WARRANTY PERFORMANCE:** During the warranty period, a product with a defect will either be repaired or replaced after the product has been inspected by an Roots & Harvest Service Technician. **ROOTS & HARVEST RESERVES THE RIGHT TO REFUSE WARRANTY PERFORMANCE OR PRODUCT EVALUATION UNLESS THE ORIGINAL SALES RECEIPT OR THE WARRANTY CARD IS ON FILE.** The repaired product will be in warranty for the balance of the warranty period. No charge will be made for such repair or replacement.

**IMPORTANT NOTICE:** If any parts are missing or defective, please contact our Customer Service Department for assistance at 877-509-3457 (M-F 8:30am to 4:30pm EST). **DO NOT RETURN TO THE STORE WHERE THE PRODUCT WAS PURCHASED.** Roots & Harvest is not responsible for, or will not cover under warranty, missing or damaged parts on discounted/clearance, resale or final sale items where the seller may not be able to guarantee full functionality or completeness of the unit.

**ROOTS & HARVEST MERCHANDISE RETURN POLICY WARRANTY SERVICE:** To obtain service under terms of this warranty, please contact us at 877-509-3457 to obtain authorization prior to returning the merchandise. No merchandise will be accepted without prior authorization. Prior to returning the product for warranty repair the product must be thoroughly cleaned and free from any food particles or other debris. Failure of the purchaser to comply with this standard may result in the unit being returned without repair. In some cases, a \$50 cleaning surcharge may apply. Please return the product prepaid in the original packaging if possible, enclose a copy of your receipt, (keep a copy of your proof-of-purchase for your records) and include a written explanation of the issue. Ship to Roots & Harvest, 4440 Muhlhauser Road, Suite 300, West Chester, OH 45011. Roots & Harvest is not responsible for damage incurred in shipping, make certain to pack product properly. Return shipping charges are the responsibility of the purchaser. Packages returned to Roots & Harvest should be insured for the value of the product to cover any damages that may occur during shipping.

Revised January 9, 2024

# CLEAN-UP, CARE, AND STORAGE

## WARNING

Keep hands out of feather chute. **DO NOT** attempt to clear feathers or other debris from feather chute when the appliance is plugged in. Turn off, unplug, and allow the plucker to come to a complete stop before cleaning or removing foreign matter.

**Electrical Shock Hazard.**  
This unit is equipped with GFCI (ground-fault circuit interrupter) that protects the operator. **NEVER** tamper with, disable or remove the GFCI.

1. Turn off and unplug the machine before clean up or disassembly.
2. Keep hands out of feather chute. **DO NOT** attempt to remove bird, feathers or debris from the plucker when plugged in.
3. Disassemble tub and feather plate from base and wash thoroughly in hot soapy water.
4. You must remove all foreign material from all appliance parts.
5. **DO NOT** use bleach or chlorine-based chemicals to clean. Discoloration of plastic parts can occur.
6. Wipe down all non-stainless steel parts with a food-grade silicone spray. Alternatively, if silicone spray is not available, vegetable oil can be used. Silicone spray is the suggested lubricant to use. Unlike vegetable oil, silicone spray will not build up or become gummy. It lubricates and repels water and leaves a protective coating to keep rust from forming.
7. **DO NOT** immerse or spray directly at the motor or motor housing. Damage to motor can occur.
8. It is best to keep the unit stored indoors or covered, not exposed to weather.
9. Allow appliance to dry completely prior to storage.

- Keep hands and fingers away from moving parts. Never reach into the appliance until it has come to a complete stop. Keep hands clear of feather chute. **DO NOT** attempt to clear feathers or other debris from feather chute. Turn off and unplug unit before cleaning or removing poultry or any foreign matter from the plucker.
- **DO NOT** spray water directly at the motor. Incidental water contact is okay.
- Always turn off and unplug plucker before cleaning, performing maintenance, assembly, or disassembly. Unplug when not in use.
- **DO NOT** allow children to operate this machine. Adults should not operate without proper instruction and without first reading the product manual. Close supervision should be used when children are near.
- **NEVER** move the unit when it is running.
- **WARNING!** The unit is heavy. To avoid muscle strain or back injury, use lifting aids and proper lifting techniques when moving appliance.

## Electrical Safety Information

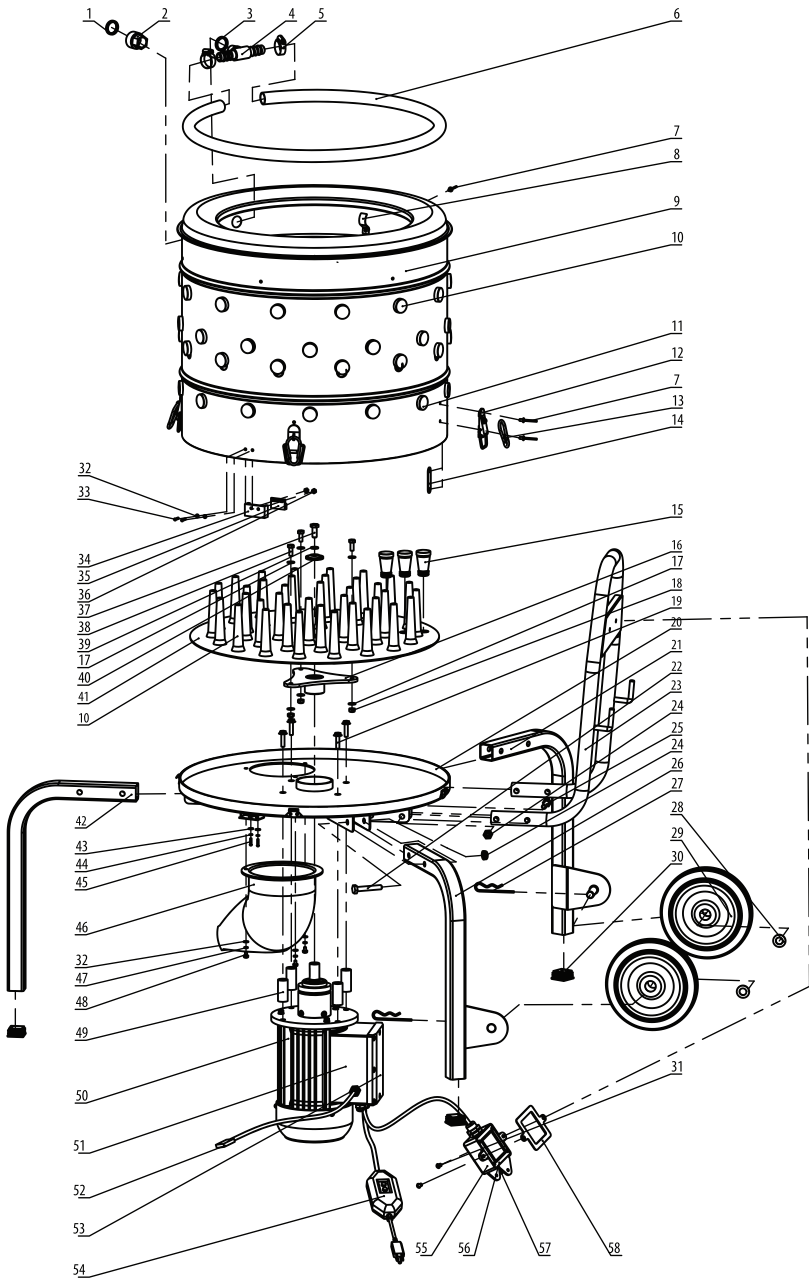
- For your safety, this appliance is equipped with a 3-pronged, grounding plug and must be plugged into a properly grounded outlet. Do not cut off the third (grounding) prong. Do not use an adapter.
- The appliance must be connected to an 120V AC electric supply only.
- To turn it on, first plug appliance into electrical outlet and then turn the appliance on. Turn appliance off and remove plug from outlet when not in use.
- Keep electrical cords suspended above surfaces that collect water and out of walkways to avoid tripping hazard.
- This device uses both electricity and water to pluck birds efficiently & effectively.
- This appliance is equipped with a GFCI (ground-fault circuit interrupter) that protects the operator. **NEVER** tamper with, disable, or remove the GFCI.
- Using this appliance with an extension cord may cause a decrease in electrical current, causing the motor to be over worked and possibly catch fire. Use of proper gauge wire extension cord is required.
- Never unplug by pulling on the power cord, always pull directly on the plug itself.
- **DO NOT** let cord hang over edge of table or counter, contact sharp edges, touch hot surfaces or sit in pooled water.
- To protect against the risk of electrical shock, never immerse the motor in water or expose it to direct water spray. **WARNING!** In the event the appliance should fall into water, unplug it from the wall socket before attempting to remove the appliance from the water. If submergence occurs, have the appliance examined by an authorized technician before use.
- Do not attempt to repair or adjust any electrical or mechanical functions on this appliance without contacting a Roots and Harvest repair technician toll-free at 877-509-3457 M-F 8:30 AM to 4:30 PM EST. Doing so will void the warranty. Servicing must be performed as directed by qualified personnel only.

The warnings and instructions discussed in this instruction manual cannot cover all possible conditions or situations that could occur. It must be understood by the operator that common sense must be supplied by the operator. Remember your personal safety is your responsibility.

## TABLE OF CONTENTS

General Warnings And Safety Information .....	2-3
Table of Contents .....	3
Parts .....	4-5
Tips & Troubleshooting .....	6
Getting Started .....	6-8
Usage.....	9
Clean-up, Care & Storage .....	10
Warranty .....	11

# PARTS



**Product Name:** Poultry Plucker  
**Volts:** 120  
**Horsepower:** 1  
**Rated Power:** 750W/60HTZ

# USAGE

**NOTE:** Maximum combined weight of poultry/birds to be plucked at one time is 16 lbs. Individual birds weighing more than 8 lbs. should not be put in the plucker.

1. Make sure all safety features are operational, including the GFCI, proximity and on/off switches. Test them prior to plucking by turning them off and on again.
2. Check that all bolts and nuts are tightly fastened. **(Check hardware prior to each use. Vibration of the machine may cause them to loosen.)**
3. Keep electrical connections out of areas where water can pool.
4. Plug in the plucker. **NOTE:** Each time it is plugged in, you must press the reset button on the GFCI. **The machine will not start without this step.**
5. **Prepare bird for plucking:** Put the bird into scalding water (140-150 F) for approximately 45 seconds. Move the bird about to facilitate hot water getting past the oil on the feathers to the skin.
6. Attach water on/off valve and water hose to hose connector.
7. Adding a small amount of dish soap to the scalding water will allow hot water to penetrate to the skin. Birds have oil on their feathers and breaking down the oil will allow the hot water to reach the skin. If plucking waterfowl we suggest adding extra soap in the scalding water to assist in the breakdown of the oils. Check bird for a good scald prior to plucking. Tug on largest tail feathers by hand, once they pull out easily you can transfer the bird to the plucker. Waterfowl test feathers should be pulled from the breast easily prior to transferring to the plucker.
8. Turn on the plucker and allow the turn table to get to speed prior to adding the birds.
9. Turn on the water and allow the turntable to get up to speed prior to adding the birds. This ensures feathers are continually flushed. **(Note:** Plucking two birds at the same time is more efficient than plucking one at a time.)
10. Immediately after scalding, place birds into spinning tub. A properly scalded bird should be completely plucked in approximately 15-20 seconds.
11. Turn off the plucker and allow it to come to a complete stop before removing birds.
12. Unplug the plucker before attempting to remove feathers or debris from plucker. Unplug when not in use.

**⚠ WARNING**

Prevent electric shock. Plug into 3-prong outlet only. Keep electrical cords out of pooling water.

**⚠ WARNING**

Unplug machine before removing feathers. Moving parts can crush and cut hands.

**⚠ WARNING**

Moving parts can catch loose items. Keep long hair and loose clothing tied back.

**⚠ WARNING**

Keep children away from machine. Unplug machine when not in use.

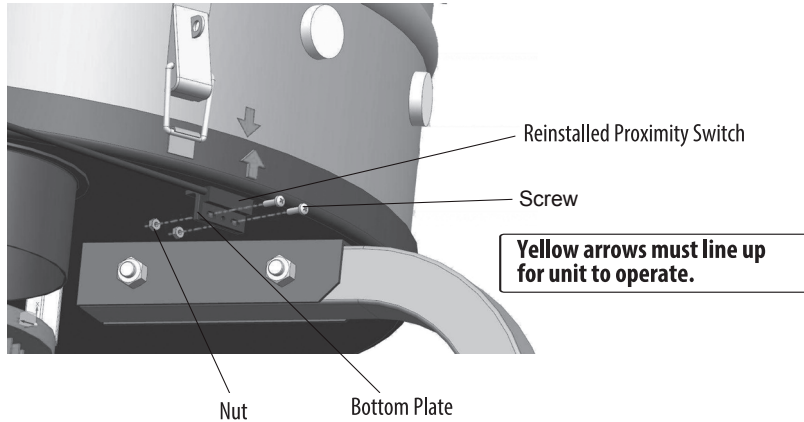
**🚫 NOTICE**

Do not spray poultry plucker with pressure washer. It will damage the machine.



## GETTING STARTED (ASSEMBLY)

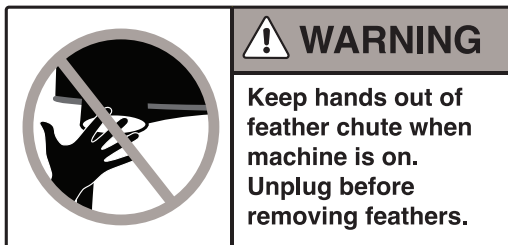
4. The two part proximity switch is installed on the tub and base of the plucker. Both parts must be properly aligned for the plucker to function. Install the tub so that the 2 yellow arrows are aligned. Reinstall buckles and carabiners.



## GETTING STARTED (PRE-USAGE)

1. Check that the buckle clamps have secured the tub to the base and that the proximity switch is aligned.
2. Plug in power cord taking time to arrange power cord out of walkway and in location where water will not pool. Keep children away from power cord.
3. Plug into grounded outlet or proper gauge extension cord. Use power specifications on page 4 to determine proper gauge extension cord.
4. Attach water hose to water shut off valve. (Water hose not included.)
5. We suggest using a bucket under the feather chute to catch feathers and to help deflect feather and water away from motor. (You may want to drill holes in the base of the bucket to allow water to flow out.)

**Note:** GFCI is ready when green light is illuminated.



## PARTS (CONTINUED)

#	DESCRIPTION	QTY	31		
				Cross Screw M5x10	2
1	Rubber Washer	1	32	Flat Washer M6	5
2	Copper Port	1	33	Cross Screw M4x14	2
3	Rubber Washer	1	34	Switch Plate	1
4	Tee Interface	1	35	Proximity Switch	1
5	Anchor Ear	2	36	Flange Lock Nut M4	2
6	Water Pipe	1	37	Outer Hexagon Bolt M8x20	1
7	Rivet Ø4	13	38	Outer Hexagon Bolt M6x16	3
8	Clasp	5	39	Spring Washer M8	1
9	Tub Assembly	1	40	Domed Washer	1
10	Long Finger	82	41	Turntable Assembly	1
11	Short Finger	13	42	Leg C	1
12	Buckle Latch	4	43	Flat Washer M3	2
13	Safety Buckle	4	44	Spring Washer M3	2
14*	Scaleboard	4	45	Cross Screw M3x8	2
15	Mid Finger	3	46	Water Outlet	1
16	Connecting Plate Assembly	1	47	Cross Screw M4x8	3
17	Flate Washer M6	6	48	Flat Key	1
18	Lock Nut M6	3	49	Locating Sleeve	4
19	Flange Hexagon Bolt M10x55	4	50	Motor	1
20	Tray Assembly	1	51	Relay	1
21	Leg Weldment B	1	52	Proximity Switch	1
22	Flange Hexagon Bold M8x45	6	53	Overcurrent Protection	1
23	Handle Assembly	1	54	GFCI Leakage Protector	1
24	Flange Lock Nut M8	10	55	Switch Box	1
25	Flange Hexagon Bolt M8x40	4	56	Waterproof Toggle Switch	1
26	Leg Weldment A	1	57	Switch Box Cover	1
27	Clevis Pin 3*50	2	58	Switch Box Washer	1
28	Flat Washer M13	2	59	Color Box	1
29	Wheels Ø125	2	60	Water On/Off Valve (Not Shown)	1
30	End Cap 30x30	3			

\*For packaging only- discardable metal piece

## TIPS AND TROUBLESHOOTING

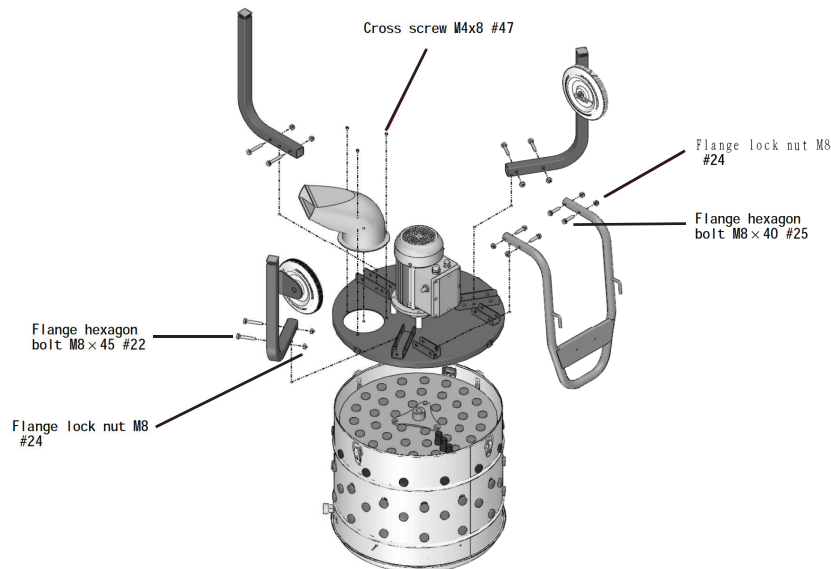
Problem	Solution
Unit stops suddenly while working	Press the GFCI button, and power switch on the motor.
	Weight of birds is too much. Birds must weigh under 8lbs. each. Max 2 birds at a time. Always allow turntable to get to speed prior to adding birds.
	Proximity switch has become misaligned. Turn off and unplug unit, realign arrows and resume use.
Unit will not start	Press the reset button on GFCI every time when you plug in the unit.

For longevity of the motor, it is suggested to put a 5-gallon bucket under the feather chute to catch feathers and water, and to keep both from getting on the motor shroud. Holes can be drilled in the bucket for water drainage.

Legs of the plucker: each leg is unique and they are not interchangeable. The legs with the axle brackets attached should be assembled so that the axle brackets and wheels are parallel with each other.

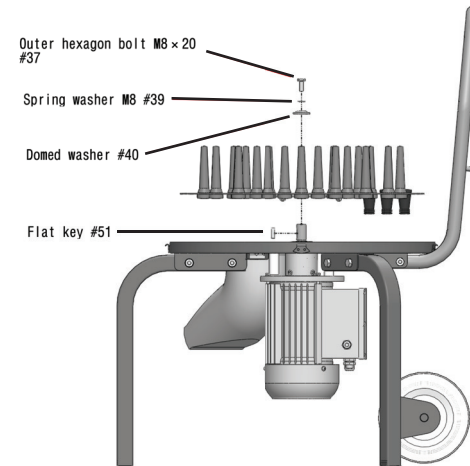
## GETTING STARTED (ASSEMBLY)

- Remove unit from the box. Unit is heavy. Use proper lifting techniques and a partner for assistance. Remove all parts from inside of Tub assembly, including the legs, wheels, feather chute, turntable, and bag of bolts and nuts (there are extra bolts and nuts included, and so you will not use all of them.) Unwrap legs, handle and wheels. (Do not use sharp object to cut tape. Use caution so not to scar paint on legs). For assembly you will need a Phillips screwdriver, a 1/2" ratchet, and an adjustable wrench or 2 adjustable wrenches. Unbuckle all buckles on the base of the tub to release the base of the product. Extra metal pieces can be discarded after assembly is complete, they are for transit purposes only. Reuse carabiners on buckles. Rubber fingers are installed on the tub assembly and the turntable. (In the future should the unit stop defeathering as efficiently and effectively as it did in the beginning of use, these fingers are replaceable and available at [RootsandHarvest.com](http://RootsandHarvest.com).) Install the wheels using cotter pins to attach them to the legs. Using long bolts and locking nuts assemble legs and handle to base matching lettered parts to letters on the base. Install feather chute so that the opening is facing away from the motor.



## GETTING STARTED (ASSEMBLY)

- Once the handle, legs, wheels, and chute are assembled flip base over. Remove wax paper with zip tie from the drive, being very careful not to displace the keyway. The keyway is easily removable and replaceable and must be in place for the turntable to function properly. Line up the center hole in the base plate to the drive with keyway and slide turntable over drive and keyway. Place 2 washers and the domed washer (concave side down) over the drive and secure with short bolt.



- Install tub assembly. Base plate and tub assembly come with the proximity switch preinstalled. It is imperative that these two pieces are properly aligned for the product to function. There are two yellow arrows to help with alignment. Once they are aligned, use the buckles to attach the tub assembly to the base plate and reinstall carabiners. Once the majority of the plucker is assembled you can use the zip ties to fasten the power cord and install the on/off switch to the handle. Assemble the water hose on/off valve to the water hose attachment at the top of the tub. This is where the water hose will be attached when ready for use.

