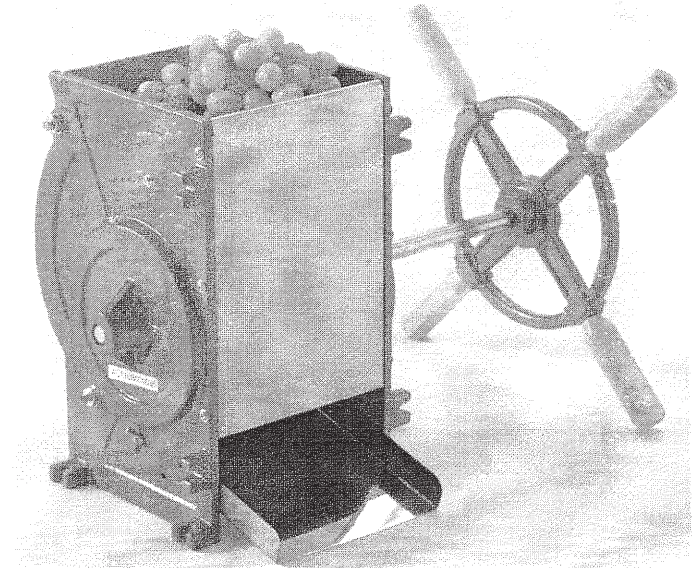


Fruit Crusher

#955



LEM Products

109 May Drive, Harrison, OH 45030

1-877-536-7763

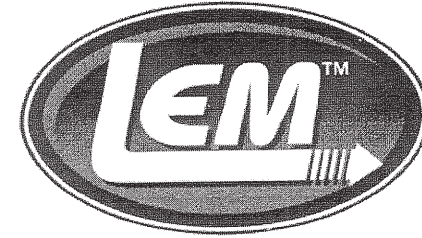
www.lemproducts.com

LEM Products

109 May Drive, Harrison OH 45030

877-536-7763

www.lemproducts.com



HOW TO USE THE FRUIT CRUSHER

1. If using a large fruit or apples, cut into quarters or smaller pieces.
2. Place the fruit/apples in the top of the crusher.
3. Place a bowl/tub below the chute to catch the fruit.
4. Turn the Handle **clockwise** SLOWLY. The crushed fruit will fall in to the container.
5. By turning the Handle back and forth the fruit that has become stuck will dislodge.
6. Scrape the crushed fruit from the Chute using the Wood Fruit Scraper.



NEVER reach in to the Chute or main body as this may cause personal injury.

CLEANING INSTRUCTIONS

Place the Fruit Crusher under a strong stream of water and turn the crushing drum to remove the remaining fruit pieces.

Making wine or applesauce? This product come with everything needed to crush fruits and apples.

Please read this booklet thoroughly before you use the Fruit Crusher for the first time.

Parts List

PART NUMBER	DESCRIPTION
1	Fruit Crusher Main Body
2	Wood Drum w/SS Crushing Blades
3	Mount Board
4	Chute
5	Main Handle w/Wood Handles & Set Screw
6	C-Clamps (2)
7	4mm Allen Wrench
8	Wing Nuts (4)
9	Locking Washer (4)
10	Flat Washers (4)
11	Flat Washers (4)
12	Hex Flange Nuts (4)
13	Carriage Bolts (4)
14	Machine Screws (4)
15	Wood Fruit Scraper

- When selecting a location to wall-mount the Fruit Crusher, check to be sure the Main Handle is able to freely turn. Most often an outside corner is the better location.
- Mount the Fruit Crusher to a solid wall.

Proceed to Handle Assembly Instructions

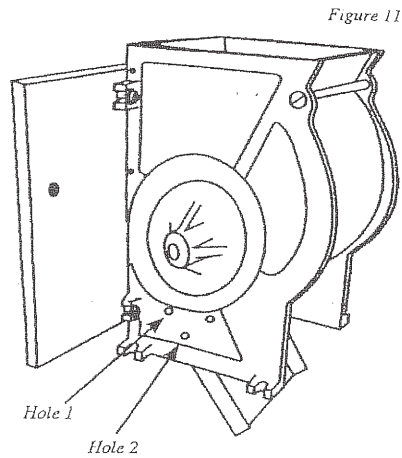


Figure 11



CAUTION!
It is the user's responsibility to ensure the Fruit Crusher is properly mounted.

The Fruit Crusher is **VERY** heavy; again, ensure the wall it is being mounted on is solid and stable **BEFORE** mounting. Failure to properly mount may cause serious personnel injury!

These directions explain how to assemble the Fruit Crusher for wall mounting.

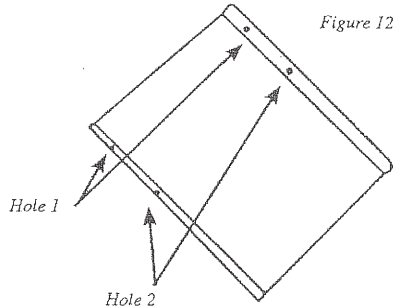


Figure 12

- Slide the Chute up into the Fruit Crusher body. Figure 11 & 12.



CAUTION!
DO NOT touch the Stainless Steel Blades on the Wood Drum. Touching these Blades could cause personal injury!

- Line up holes 1 & 2 of the Chute to holes 1 & 2 of the Fruit Crusher. Fasten the Chute to the main body of the Fruit Crusher using the machine screws and the wing nuts. Repeat this step on the opposite side of the Chute. Finger-tighten the wing nuts. Figure 13.

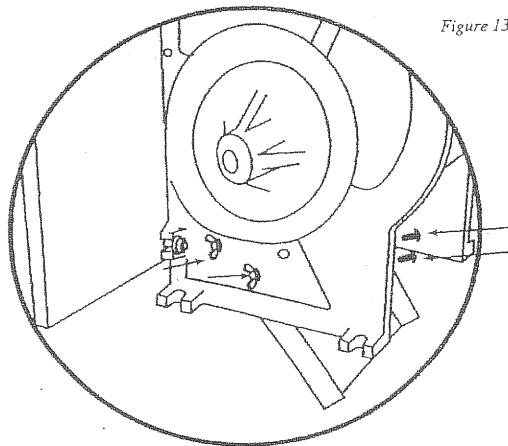


Figure 13

This Fruit Crusher comes pre-assembled to the This Fruit Crusher may be used on a table top or mounted to a wall.

TABLE MOUNT ASSEMBLY INSTRUCTIONS

TOOLS NEEDED:

- 10mm Wrench

- Place the Back Side of the Fruit Crusher's main body on a flat, level surface, with the Feet facing toward you.
- Turn so the sink holes of the Mounting Board are facing toward you, align the holes, A, B, C, D of the Mounting Board with the holes of the Fruit Crusher **A, B, C, D** (the corresponding). Figures 1 & 2
- Fasten the Feet to the Mounting Board using the Carriage Bolt, Flat Washer, Lock b, and Hex Flange Nut. Figure 3 – Using a 10mm Wrench, tighten the Hex Flange Nuts until snug.
- Stand the Fruit Press and Mounting Board assembly upright.

Continue to Step 5

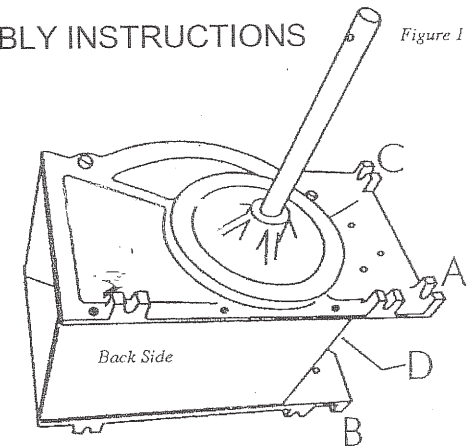


Figure 1

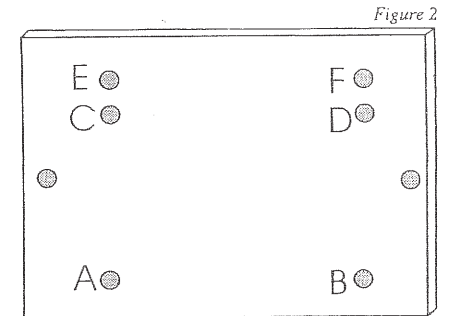


Figure 2

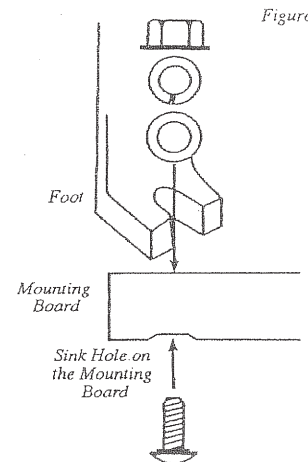


Figure 3